

Thank you for selecting this YAMAHA NS-8HX speaker system.

## PRECAUTIONS

### Read this before using the speakers.

- To assure the finest performance, please read this manual carefully. Keep it in a safe place for future reference.
- Install the speakers in a cool, dry, clean place – away from windows, heat sources, sources of excessive vibration, dust, moisture and cold. Avoid sources of humming (transformers, motors). To prevent fire or electrical shock, do not expose the speakers to rain or water.
- To prevent the enclosure from warping or discoloring, do not place the speakers where they will be exposed to direct sunlight or excessive humidity.
- Do not place the following objects on the speakers:
  - Glass, china, etc.  
If glass etc. falls by vibrations and breaks, it may cause personal injury.
  - A burning candle etc.  
If the candle falls by vibrations, it may cause fire and personal injury.
  - A vessel with water in it  
If the vessel falls by vibrations and water spills, it may cause damage to the speakers, and/or you may get an electric shock.
- Do not place the speakers where foreign objects such as water drips might fall. It might cause a fire, damage to the speakers, and/or personal injury.
- Do not place the speakers where they are liable to be knocked over or struck by falling objects. Stable placement will also ensure better sound performance.
- Placing the speakers on the same shelf or rack as the turntable can result in feedback.
- Never put a hand or a foreign object into the port located on the front of the speaker as this might cause personal injury and/or damage to the speaker.
- When moving the speaker, do not hold the port as it might cause personal injury and/or damage to the speaker.
- Any time you note distortion, reduce the volume control on your amplifier to a lower setting. Never allow your amplifier to be driven into “clipping”. Otherwise the speakers may be damaged.
- When using an amplifier with a rated output power higher than the nominal input power of the speakers, care should be taken never to exceed the speakers’ maximum input.
- Do not attempt to clean the speakers with chemical solvents as this might damage the finish. Use a clean, dry cloth.
- Do not attempt to modify or fix the speakers. Contact qualified YAMAHA service personnel when any service is needed. The cabinet should never be opened for any reasons.
- **Secure placement or installation is the owner’s responsibility.**  
**YAMAHA shall not be liable for any accident caused by improper placement or installation of speakers.**

## PRECAUTIONS WHEN POSITIONING

The speaker is constructed with the majority of the weight located in its upper portion, and is thus susceptible to falling over if proper care is not taken to insure its stability. If the speaker falls over, it may damage the speaker or be the cause of injury (or even death) to persons and/or damage to personal property.



### For safe and proper use of the speaker:

- Position the speaker in a location that is solid, level, smooth, and low (with respect to the floor).
- Do not push or apply pressure to the side of the speaker when moving, or lean objects against the side of the speaker.
- Do not sit on or set objects on top of the speaker.
- Do not remove the stands attached to the bottom of the speaker as this might cause the serious accidents, resulting from falling over of the speaker.

Vibrations or jolts associated with earthquakes and other phenomena or activities may cause the speaker to fall over. For safety reasons, using commercially available products that increase stability in the speaker is recommended (metal fittings or chains, etc.).

## ATTACHING THE SPIKES

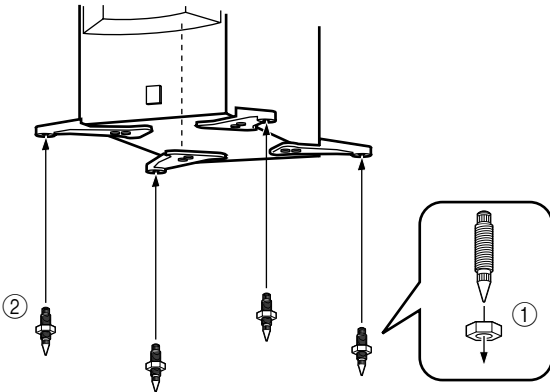


Spike x 4



Nut x 4

When setting up the speakers on a thick carpet, use the spikes to increase stability and improve sound quality. Attach the spikes at four points on the speaker properly by following the procedure below.



### Procedure:

- ① Turn the nut close to the tip of the spike.
- ② Screw the spikes into the hole of the stands.
- ③ Place the speaker in the desired location in an upright position and adjust the length of the spike to match the depth of the carpet.
- ④ When adjustment is finished, turn the nut up to the base of the stand firmly.

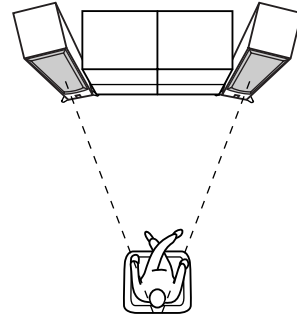
### Notes

- The tips of the spikes may scratch or otherwise damage the flooring. Please be careful when positioning the speakers.
- If force is applied to the side of the speaker, it may fall and damage the speaker or cause personal injury. Please be careful.

## PLACING THE SPEAKERS

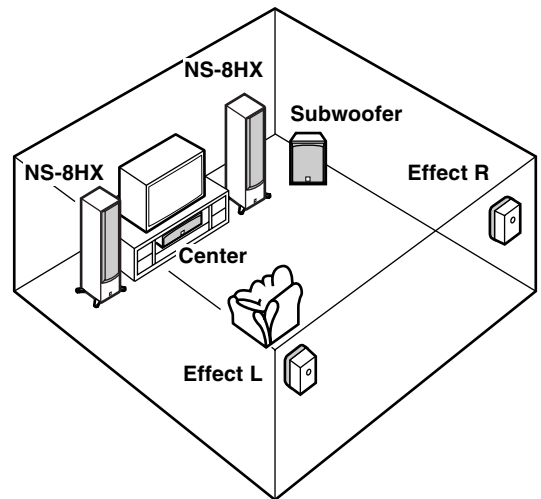
### ■ Using as 2ch stereo speakers

Better stereo images will be obtained when the speakers are slightly angled in towards the listeners.



### ■ Using as main speakers in a multi channel system

Position the speakers on both sides of the TV. The positioning of speakers is important, because it controls the whole sound quality of a multi channel system. Set up the speakers on the basis of your listening position by following the owner's manual supplied with your amplifier.



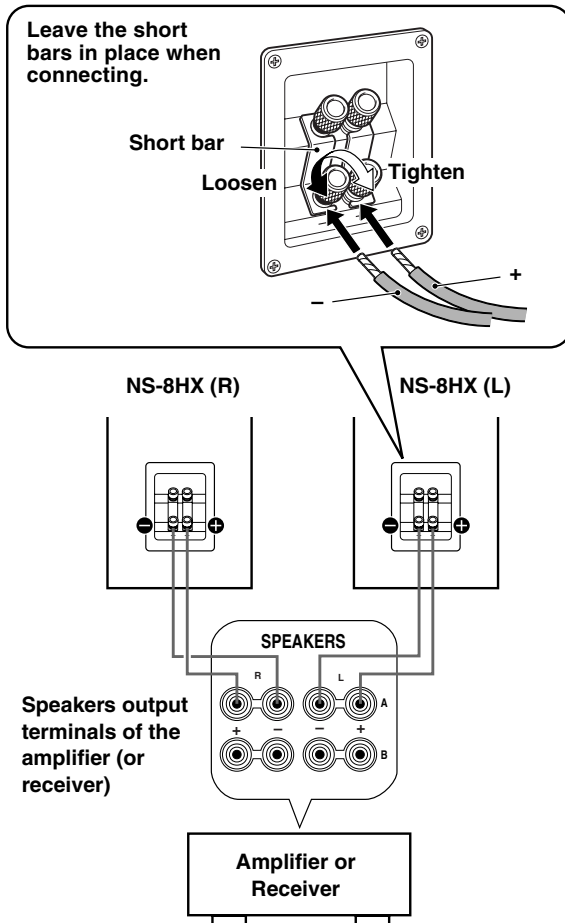
### Note

These speakers feature a magnetically shielded design, but there is still a chance that placing them too close to a TV set might impair picture color. Should this happen, move the speakers away from the TV set.

## CONNECTIONS TO YOUR AMPLIFIER

This speaker system is capable of standard connections and bi-wired connections. Before making connections, make sure that the amplifier is switched off.

### <Standard connections>



### ■ CONNECTIONS

- Connect the screw-type input terminals at the rear of the speakers to the speaker output terminals of the amplifier (or receiver) with the speaker cable.
- Connect the (+) terminals on the amplifier (or receiver) and the speakers using one side of the cable. Connect the (-) terminals on both components using the other side of the cable.
- Connect one speaker to the left (marked L) terminals of your amplifier, and another speaker to the right (marked R) terminals, making sure not to reverse the polarity (+, -). If one speaker is connected with reversed polarity, the sound will be unnatural and lack bass.

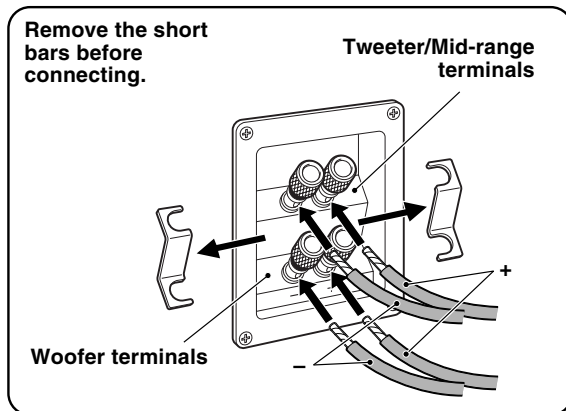
#### How to connect:

- ① Loosen the knob.
- ② Insert the bare wire. [Remove the insulation coating at the extremity of each speaker cable by twisting the coating off.]
- ③ Tighten the knob and secure the cable.  
Test the firmness of the connection by pulling lightly on the cable at the terminal.

#### Note

Do not let the bare speaker wires touch each other as this could damage the speaker or the amplifier, or both of them.

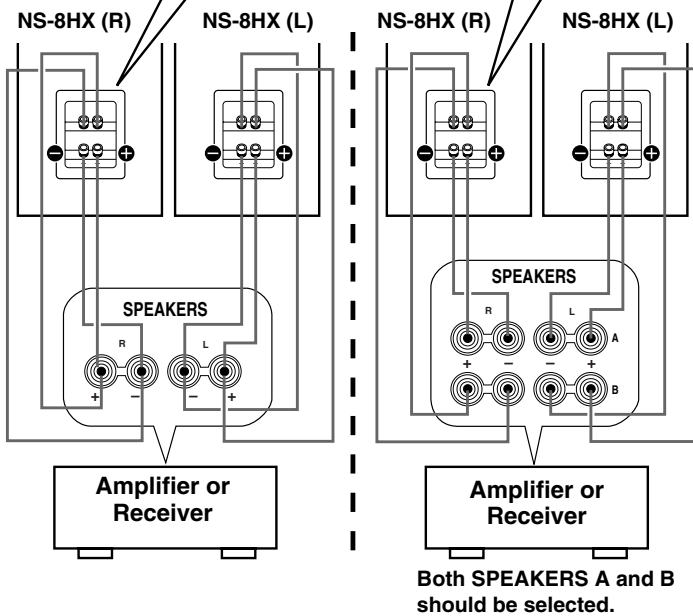
## <Bi-wired connections>



### Bi-Wired Connections

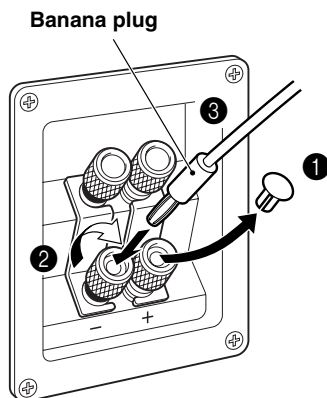
This speaker system is capable of bi-wired connections. To connect the speaker to the output terminals of the amplifier (or receiver), two pairs of cables for each of woofer and tweeter/mid-range are used instead of standard connections. This type of connection decreases the modulation distortion caused by electric resistance of the cables and driving current of the speakers. Consequently, purer sound quality can be expected.

To utilize bi-wired connections, remove the short bars from the terminals first, and then connect the woofer and tweeter/mid-range to the amplifier separately using two pairs of cables.



### When using a banana plug

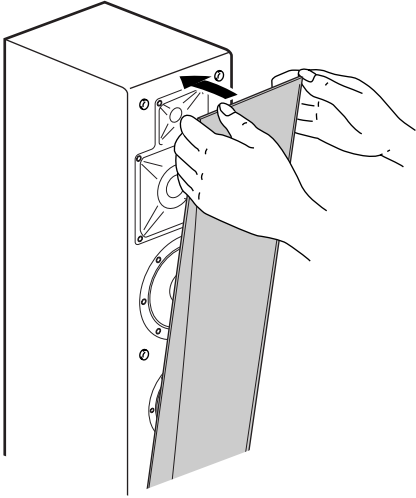
<General model only>



- 1 Remove the cover by pulling it toward you.
- 2 Tighten the terminal knob.
- 3 Simply insert the banana plug into the terminal.

## ATTACHING THE FRONT COVER

The speaker and the front cover are packed separately. To attach the cover, line up the six pegs on the speaker with the six corresponding holes on the inside surface of the cover and push gently. To remove the cover, hold on to both sides and slowly pull straight away from the speaker.



### Note

When the cover is removed, take care not to touch the speaker units with your hands or to exert excessive force with tools.

## SPECIFICATIONS

Type .....	3-way 4-speaker bass reflex speaker system Magnetic shielding type
Driver .....	20 cm (8") cone woofer x 2 Wave guide horn 13 cm (5") cone mid-range Wave guide horn 3 cm (1") dome tweeter
Impedance .....	6 $\Omega$
Frequency Response .....	35 Hz to 50 kHz
Nominal Input Power .....	140 W
Maximum Input Power .....	400 W
Sensitivity .....	92 dB/2.83 V/m
Crossover Frequency .....	600 Hz, 4 kHz
Dimensions (WxHxD) .....	364 x 1102 x 397 mm (14-5/16" x 43-5/6" x 15-5/8")
Weight .....	32.5 kg (71 lbs. 11 oz.)
Accessories .....	Spike x 4 Nut x 4


- Specifications subject to change without notice due to product improvements.
- Care should be taken not to exceed the input power values noted above.



---

**YAMAHA ELECTRONICS CORPORATION, USA** 6660 ORANGETHORPE AVE., BUENA PARK, CALIF. 90620, U.S.A.  
**YAMAHA CANADA MUSIC LTD.** 135 MILNER AVE., SCARBOROUGH, ONTARIO M1S 3R1, CANADA  
**YAMAHA ELECTRONIK EUROPA G.m.b.H.** SIEMENSSTR. 22-34, 25462 RELLINGEN, BEI HAMBURG, F.R. OF GERMANY  
**YAMAHA ELECTRONIQUE FRANCE S.A.** RUE AMBROISE CROIZAT BP70 CROISSY-BEAUBOURG 77312 MARNE-LA-VALLÉE CEDEX02, FRANCE  
**YAMAHA ELECTRONICS (UK) LTD.** YAMAHA HOUSE, 200 RICKMANSWORTH ROAD WATFORD, HERTS WD1 7JS, ENGLAND  
**YAMAHA SCANDINAVIA A.B.** J A WETTERGRENS GATA 1, BOX 30053, 400 43 VASTRA FRÖLUNDA, SWEDEN  
**YAMAHA MUSIC AUSTRALIA PTY, LTD.** 17-33 MARKET ST., SOUTH MELBOURNE, 3205 VIC., AUSTRALIA

**YAMAHA CORPORATION**

Printed in Indonesia 

V790190